

MITSWZ28EC

THROUGH THE WALL HEAT PUMP

DISTRIBUTED BY:



- Suitable for residential and commercial applications
- Heating, air conditioning, and fresh air intake
- Eliminates the need for an outdoor unit
- Modern and attractive aesthetic
- Virtual plug and play
- Low maintenance
- Low noise



FEATURES

LOW NOISE

The innovative design of the cross flow fan produces low noise levels during operation. The air and carbon filter purifies the air which creates a comfortable environment.

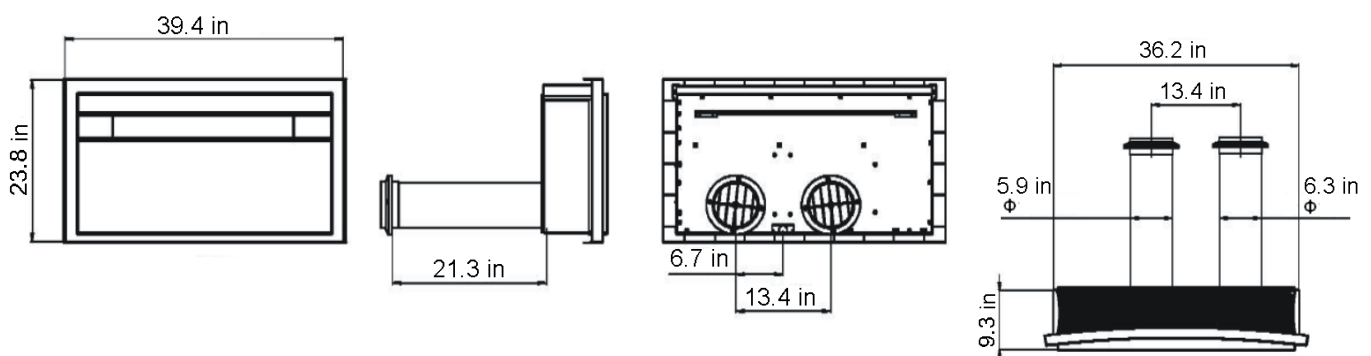
FRESH AIR VENTILATION

The unit uses an innovative new system that makes it easy to ventilate your room with fresh air. This air is purified by the air filtration system which removes harmful particles and pollutants.

DISCREET & ELEGANT INSTALLATION

The sleek design fits perfectly into various residential and commercial applications such as a home, office building, or hotel, etc.

DIMENSIONS



Note: The external pipes have two different diameters, use 6.3 in for inlet side and 5.9 in for outlet side.

MANUFACTURER TECHNICAL DATA

| | | | | |
|--|-------------|---|----------------------|----------------|
| AIRFLOW | | H | ft ³ /min | 265 |
| | | M | | 235 |
| | | L | | 205 |
| COOLING CAPACITY | * | | Btu/h | 9,900 |
| HEATING CAPACITY | ** | | Btu/h | 10,000 |
| ELECTRIC HEATER CAPACITY | | | Btu/h | 6,800 |
| EER | | | Btu/W | 11.18 |
| COP | | | Btu/Btu | 3.53 |
| NOISE LEVEL @ 3.28 FT | INDOOR | H | dB/A | 48.2 |
| | | M | | 46.0 |
| | | L | | 43.7 |
| | OUTDOOR *** | H | dB/A | 58.1 (54.6***) |
| | | M | | - |
| | | L | | 46.6 (43.1***) |
| ELECTRICAL INSULATION PROTECTION CLASS | | | | I |
| WATER PROOF CLASS | | | | IPX4 |
| DEHUMIDIFICATION | | | gal/h | 0.217 |
| POWER SUPPLY | | | V/Ph/Hz | 208-230/1/60 |
| POWER INPUT | COOLING | | W | 885 |
| | HEATING | | W | 830 |
| RUNNING CURRENT | COOLING | | A | 4.5 |
| | HEATING | | A | 4.1 |
| START CURRENT | COOLING | | A | 12.3 |
| | HEATING | | A | 11.6 |
| ELECTRIC HEATER RUNNING CURRENT | | | A | 9.1 |
| COMPRESSOR | | | | ROTARY |
| REFRIGERANT CONTROL | | | | CAPILLARY |
| REFRIGERANT CHARGE | | | lb | 1.43 |
| REFRIGERANT TYPE | | | | R410A |
| DIMENSIONS | WIDTH | | in | 43.11 |
| | HEIGHT | | | 22.83 |
| | DEPTH | | | 9.65 |
| GROSS WEIGHT | | | lb | 114.64 |

All testing and values are per Manufacturer's testing

All capacities are based on:

*Cooling: Indoor 80.6°F DB, 66.2°F WB, outdoor 95°F DB, 75.2°F WB.

**Heating: Indoor 68°F DB, outdoor 44.6°F DB, 42.8°F WB

***Values in parentheses refer to outdoor sound pressure levels with optional sound attenuation device installed

WARRANTY

All warranty is effective from the date of installation. Labour warranty is the responsibility of the installing contractor.

MITSW28EC by Mits Airconditioning Inc. 3 years compressor warranty
1 year for parts warranty

To register warranty on equipment go to www.mitsair.com/warranty-registration



MITS AIRCONDITIONING INC.

1608 BONHILL ROAD

MISSISSAUGA, ONTARIO, CANADA, L5T 1C7

(905) 564-2221 | 1-800-567-2221 | INFO@MITSAIR.COM

H.V.A.C. DISTRIBUTOR

WWW.MITSAIR.COM